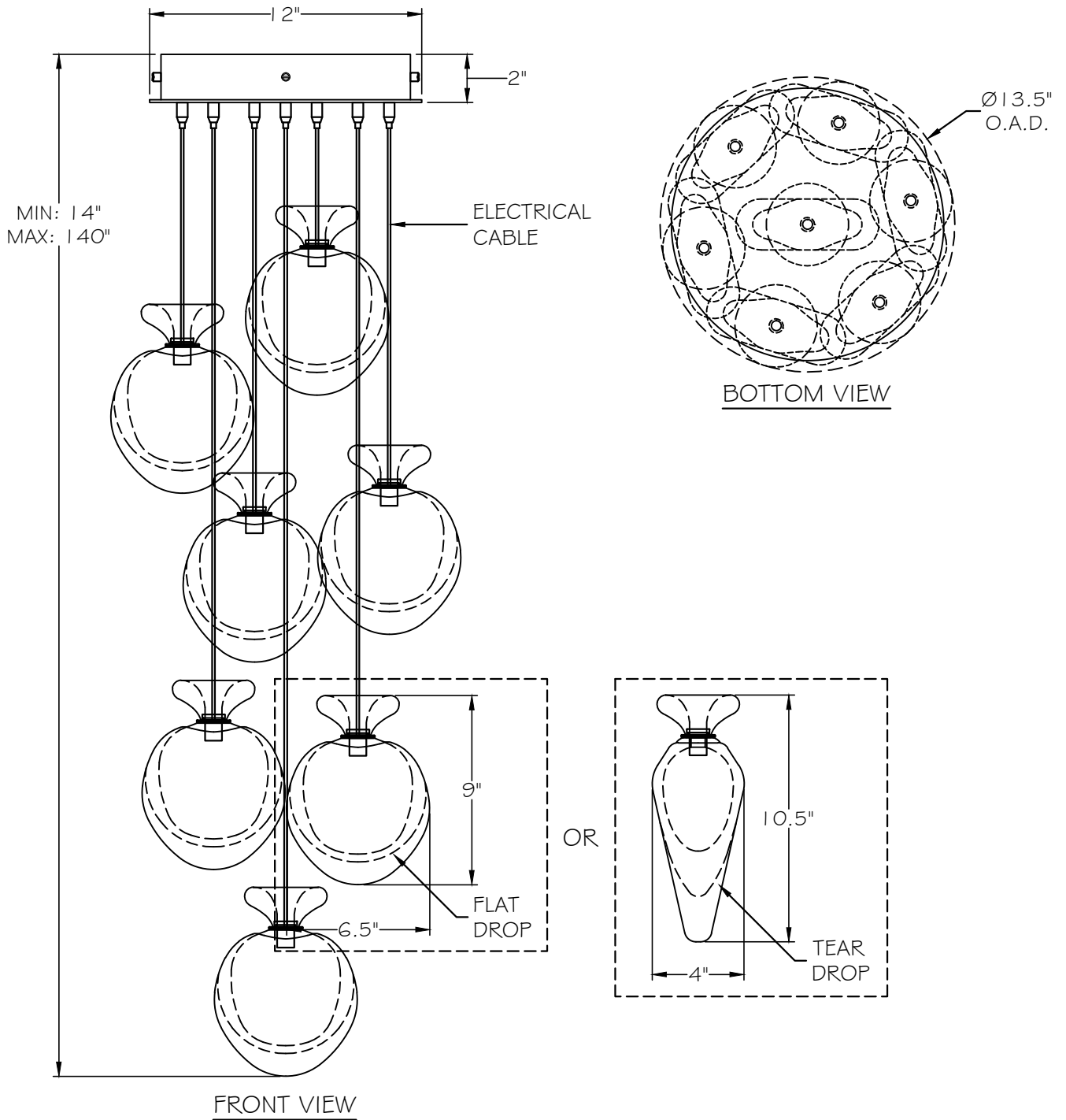

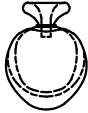
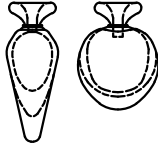


CUSTOMER REFERENCE DRAWING



DISCLAIMER: Our studio glass is handmade individually in Miami. Slight variations in shape, size and markings are the characteristics that distinguish art glass from mass-produced glass.

THUMBNAIL IMAGES OF STYLE OPTIONS:

<p>10.5" X 4"</p>  <p>-11, -21, -12, -22</p>	<p>9" X 6.5"</p>  <p>-13, -23, -14, -24</p>	<p>10.5" X 4" 9" X 6.5"</p>  <p>-15, -25, -16, -26</p>
---	--	---



This drawing, specifications and the product depicted are the exclusive property of Fine Art Handcrafted Lighting®. In compliance with US copyright and patent requirements, notice is hereby given that this document and the product depicted shall not be copied, altered or used in any manner without the expressed written consent of Fine Art Handcrafted Lighting®.

www.finearthl.com Tel:(305) 821-3850 Fax:(305) 513-5736  
FINE ART LAMPINGS®

STYLE NUMBER:  
**100031**  
DATE:  
**12/18/2023**