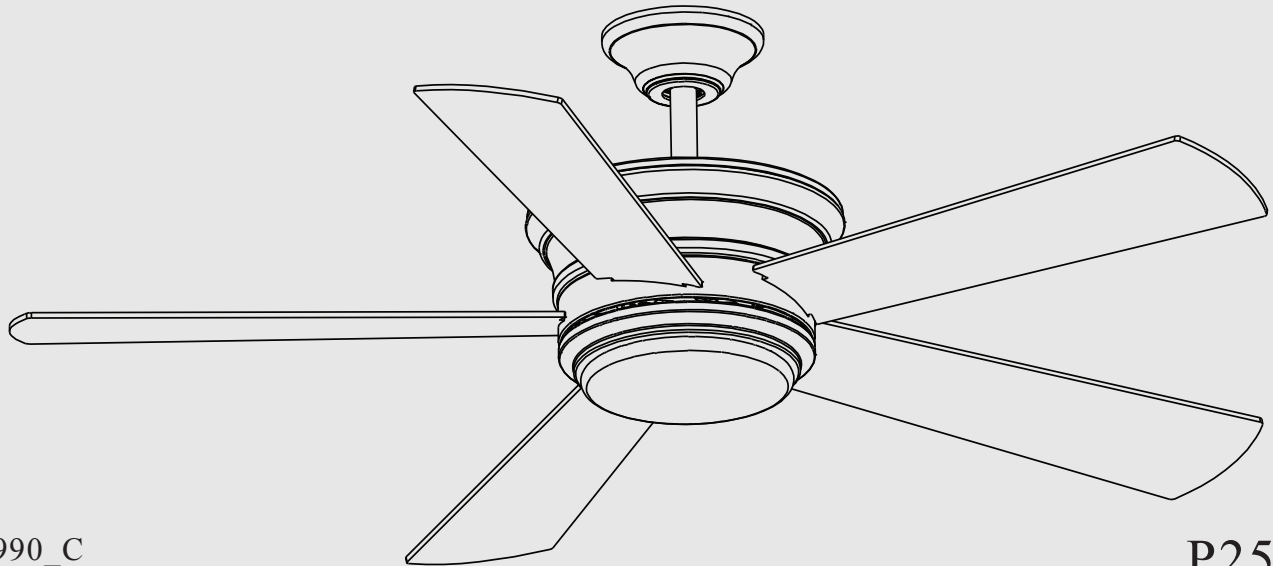




Ceiling Fan Installation Manual



93080990_C

P2540

Limited Lifetime Warranty

Progress Lighting fan motors are warranted to the original purchaser to be free of electrical and/or mechanical defects for so long as the original purchaser owns the fan. Pull chain switches, reverse switches, capacitors and metal finishes are warranted to be free from defects in materials or workmanship for a period of 1 year from the date of purchase. Warping of wooden or plastic blades is not covered by this warranty nor is corrosion and/or deterioration of any finishes for fans installed within ten miles of any sea coast. Extended warranties for ENERGY STAR® qualified products may apply.

Progress Lighting ceiling fans with built-in LED light sources, when properly installed and under normal conditions of use, are warranted to be free from defects in material and workmanship which cause the light sources to fail to operate in accordance with the specifications for (i) five (5) years from the date of purchase on the LED Light modules and electrical components for fans used in single family residences, and (ii) three (3) years from the date of purchase on the LED Light modules and electrical components for fans used in multi-family or commercial applications. LED bulbs supplied by Progress Lighting carry no warranty other than manufacturer's warranty. Non-LED bulbs carry no warranty.

With proof of purchase, the original purchaser may return the defective fan to the place of purchase during the first 30 days for replacement. After 30 days, the original purchaser MUST contact Progress Lighting at (864) 678-1000 for repair or replacement which shall be determined in Progress Lighting's sole discretion and shall be purchaser's sole and exclusive remedy.

Labor and Shipping Excluded. This warranty does not cover any costs or fees associated with the labor (including, but not limited to, electrician's fees) required to install, remove, or replace a fan or any fan parts.

This warranty shall not apply to any loss or damage resulting from (i) normal wear and tear or alteration, misuse, abuse or neglect, or (ii) improper installation, operation, repair or maintenance by original purchaser or a third party, including without limitation improper voltage supply or power surge, use of improper parts or accessories, unauthorized repair (made or attempted) or failure to provide maintenance to the fan.

THE FOREGOING WARRANTIES STATE PROGRESS LIGHTING'S ENTIRE WARRANTY OBLIGATION AND ORIGINAL PURCHASER'S SOLE AND EXCLUSIVE REMEDY RELATED TO SUCH PRODUCTS. PROGRESS LIGHTING IS NOT RESPONSIBLE FOR DAMAGES (INCLUDING INDIRECT, SPECIAL, INCIDENTAL OR CONSEQUENTIAL), DUE TO PRODUCT FAILURE, WHETHER ARISING OUT OF BREACH OF WARRANTY, BREACH OF CONTRACT, OR OTHERWISE. THIS WARRANTY IS GIVEN IN LIEU OF ALL OTHER WARRANTIES, WHETHER EXPRESSED OR IMPLIED, INCLUDING THOSE OF MERCHANTABILITY, FITNESS FOR A PARTICULAR PURPOSE OR NON-INFRINGEMENT.

Some states do not allow limitations on how long an implied warranty lasts or the exclusion or limitations of incidental or consequential damages, so the above limitations and exclusions may not apply to you. This warranty gives you specific rights and you may have other rights which vary from state to state.

Date Purchased _____

Store Purchased _____

UL Model No. P2540

Serial No. _____

Vendor No. 111017

UPC 785247 211821

785247 211814

785247 211838



Safety Rules	1
Unpacking Your Fan	2
Installing Your Fan	3
Making the Electrical Connections	6
Operating Your Fan	9
Care of Your Fan	10
Troubleshooting	10
Specifications	11

Table of Contents

READ AND SAVE THESE INSTRUCTIONS

1. To reduce the risk of electric shock, insure electricity has been turned off at the circuit breaker or fuse box before beginning.
2. All wiring must be in accordance with the National Electrical Code ANSI/NFPA 70-1999 and local electrical codes. Electrical installation should be performed by a qualified licensed electrician.
3. **CAUTION:** To reduce the risk of personal injury, use only the screws provided with the electrical box.
4. The outlet box and support structure must be securely mounted and capable of reliably supporting 35 lbs. (15.9 kg). Use only UL Listed outlet boxes marked “Acceptable for Fan Support of 35 lbs. (15.9 kg) or less.”
5. **CAUTION:** The fan must be mounted with a **minimum of 7 feet clearance** from the trailing edge of the blades to the floor.
6. Do not operate reversing switch while fan blades are in motion. Fan must be turned off and blades stopped before reversing blade direction.
7. Avoid placing objects in path of the blades.
8. To avoid personal injury or damage to the fan and other items, be cautious when working around or cleaning the fan.
9. Do not use water or detergents when cleaning the fan or fan blades. A dry dust cloth or lightly dampened cloth will be suitable for most cleaning.
10. After making electrical connections, spliced conductors should be turned upward and pushed carefully up into electrical box. The wires should be spread apart with the grounded conductor and the equipment-grounding conductor on one side of the electrical box and ungrounded conductor on the other side of the electrical box.
11. Electrical diagrams are for reference only. Light kits that are not packed with the fan must be UL Listed and marked suitable for use with the model fan you are installing. Switches must be UL General Use Switches. Refer to the instructions packaged with the light kits and switches for proper assembly.
12. All set screws must be checked and retightened where necessary before installation.
13. **WARNING:** To reduce the risk of fire or electric shock, this fan should only be used with fan speed control part no. UC7067RY, manufactured by Rhine Electronic Co., Ltd.
14. Suitable for use with solid-state speed controls.

WARNING

TO REDUCE THE RISK OF FIRE, ELECTRIC SHOCK OR PERSONAL INJURY, MOUNT TO OUTLET BOX MARKED “ACCEPTABLE FOR FAN SUPPORT OF 35LBS. (15.9 KG) OR LESS”, AND USE SCREWS PROVIDED WITH THE OUTLET BOX.

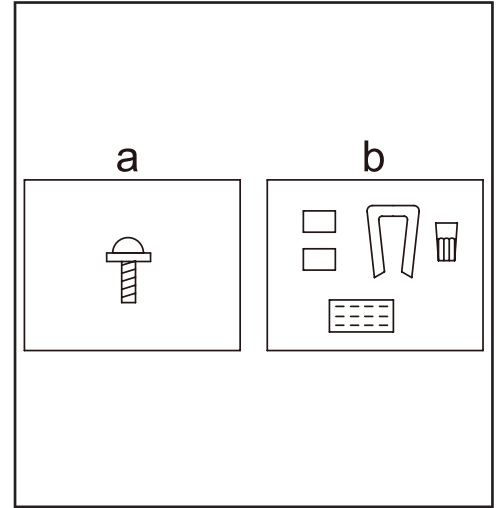
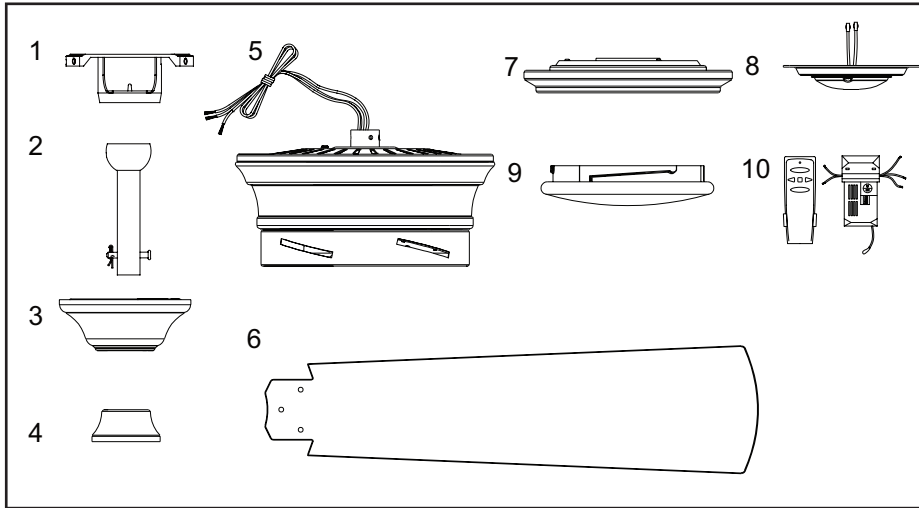
WARNING

TO REDUCE THE RISK OF PERSONAL INJURY, DO NOT BEND THE BLADE BRACKETS (ALSO REFERRED TO AS (“FLANGES”)) DURING ASSEMBLY OR AFTER INSTALLATION. DO NOT INSERT OBJECTS IN THE PATH OF THE BLADES.

WARNING

TO REDUCE THE RISK OF SHOCK, THIS FAN MUST BE INSTALLED WITH AN ISOLATION CONTROL/SWITCH.

1. Safety Rules



Unpack your fan and check the contents. You should have the following items:

- | | | |
|---|------------------------------|---|
| 1. Mounting Bracket (inside canopy) | 5. Fan Motor Assembly | a. Blade attachment hardware
(16 Screws) |
| 2. 6" Ball/Downrod Assembly (hanger pin and locking pin pre-attached) | 6. Blades (5) | b. Electrical hardware and Balancing kit
(3 plastic wire connectors, blade balancing kit) |
| 3. Canopy with Canopy Ring (attached) | 7. Light Kit Pan | |
| 4. Decorative Motor Collar Cover | 8. Light Kit Fitter Assembly | |
| | 9. Glass Shade | |
| | 10. Transmitter and Receiver | |

2. Unpacking Your Fan

Tools Required

Phillips screw driver or straight slotted screw driver, adjustable wrench, step ladder, and wire cutters.



Mounting Options

If there isn't an existing electrical box, then read the following instructions. **Disconnect the power by removing fuses or turning off circuit breakers.**

Secure the electrical box directly to the building structure. Use appropriate fasteners and building materials. The electrical box and its support must be able to fully support the moving weight of the fan (at least 35 lbs.). **Do not use plastic electrical boxes.**

WARNING

TO REDUCE THE RISK OF FIRE, ELECTRIC SHOCK OR PERSONAL INJURY, MOUNT TO OUTLET BOX MARKED "ACCEPTABLE FOR FAN SUPPORT OF 35LBS. (15.9 KG) OR LESS", AND USE SCREWS PROVIDED WITH THE OUTLET BOX. ELECTRICAL BOXES COMMONLY USED FOR THE SUPPORT OF LIGHTING FIXTURES MAY NOT BE ACCEPTABLE FOR FAN SUPPORT AND MAY NEED TO BE REPLACED. CONSULT A QUALIFIED ELECTRICIAN IF IN DOUBT.

Figures 1, 2, and 3 are examples of different ways to mount the electrical box.



Figure 1



Figure 2

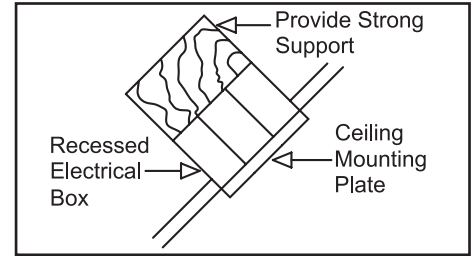


Figure 3

Note: You may need a longer downrod to maintain proper blade clearance when installing on a steep, sloped ceiling. The maximum angle allowable is 20°.

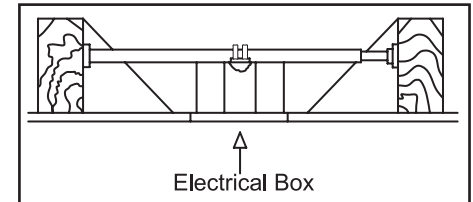


Figure 4

To hang your fan where there is an existing fixture but no ceiling joist, you may need an installation hanger bar as shown in Figure 4.

3. Installing Your Fan

Hanging the Fan

REMEMBER to turn off the power. Follow the steps below to hang your fan properly.

NOTE: This fan is recommended for standard ceiling mount using the downrod provided with this fan. When using standard ceiling installation with the 6 inch downrod provided, the distance from the ceiling to the bottom of the fan blades will be approximately 13 inches.

Standard Ceiling Mounting

1. Remove the canopy ring from the canopy by turning the ring to the right until it unlocks. (Figure 5)
2. Remove the mounting plate from the canopy by loosening the four screws on the top of the canopy. Remove the two non-slotted screws and loosen the slotted screws. This will enable you to remove the mounting plate. (Figure 6)
3. Remove the hanger pin and locking pin from downrod assembly.
4. Route the wires exiting the top of the fan motor through the decorative motor collar cover then the canopy ring. Make sure the slot openings are on top. Route the wires through the canopy and then through the ball/downrod assembly. (Figure 7)

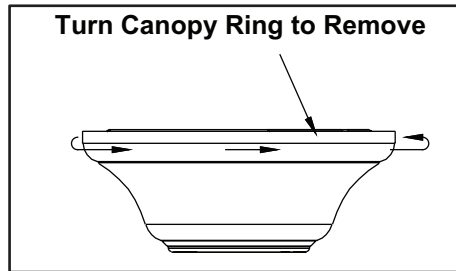


Figure 5

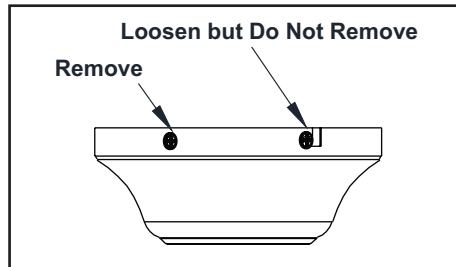


Figure 6

5. Loosen, but do not remove, the set screws on the collar on the top of the motor housing.
6. Align the holes at the bottom of the downrod with the holes in the collar on top of the motor housing. (Figure 7) Carefully insert the hanger pin through the holes in the collar and downrod. Be careful not to jam the hanger pin against the wiring inside the downrod. Insert the locking pin through the hole near the end of the bolt until it snaps into its locked position, as noted in the circle inset of Figure 7.

7. Re-tighten the set screws on the collar on top of the motor housing.
8. Make sure the grommet is properly installed in the collar cover, then slide the collar cover on the downrod until it rests on the motor housing. Be sure that the canopy and the collar cover are both oriented correctly.
9. Proceed to "Installing the Fan" section.

WARNING

FAILURE TO PROPERLY INSTALL SET SCREWS AS NOTED IN STEP 7 COULD RESULT IN FAN LOOSENING AND POSSIBLY FALLING.

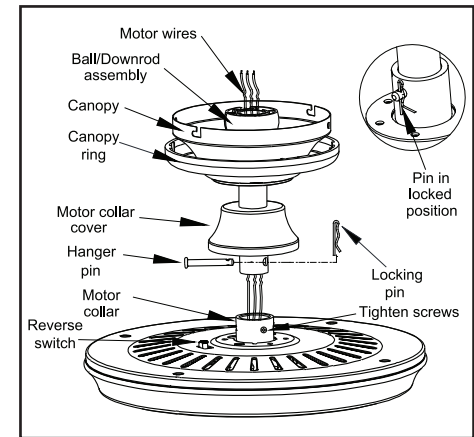


Figure 7

Installing Fan to the Electrical Box

CAUTION

WHEN MOUNTING THE FAN ON A SLOPED CEILING, THE STANDARD BALL/DOWNROD MOUNTING METHOD MUST BE USED. THE MOUNTING PLATE MUST BE MOUNTED SO THAT THE SLOT OPENINGS ARE ON THE LOWER SIDE BY SLIDING THE MOUNTING PLATE FROM THE TOP DOWN.

1. Pass the 120-volt supply wires through the center hole in the ceiling mounting plate as shown in Figure 8.
2. Install the ceiling mounting bracket on the electrical box by using the mounting screws provided with the electrical box. Note that the flat side of the mounting plate is toward the electrical box. (Figure 8)
3. Tighten the two screws on the electrical box securely.
4. Carefully lift the fan assembly up to the ceiling mounting plate. Make sure the tab on the mounting plate is properly seated in the groove in the hanger ball. (Figure 9)

WARNING

WHEN USING THE STANDARD BALL/DOWNROD MOUNTING, THE TAB IN THE RING AT THE BOTTOM OF THE MOUNTING BRACKET MUST REST IN THE GROOVE OF THE HANGER BALL. FAILURE TO PROPERLY SEAT THE TAB IN THE GROOVE COULD CAUSE DAMAGE TO WIRING.

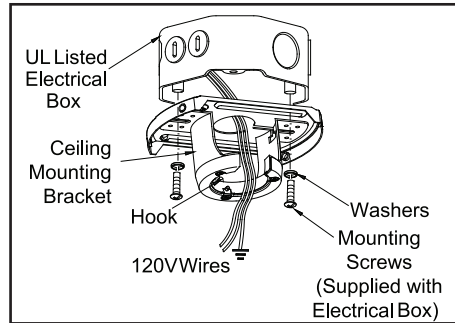


Figure 8

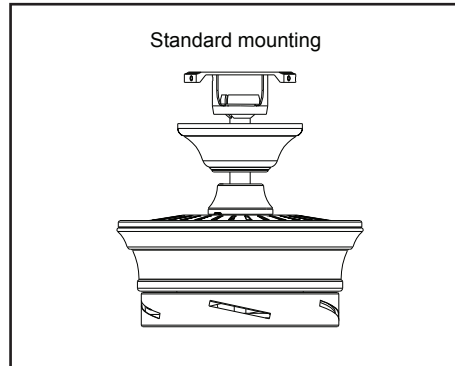


Figure 9

Making the Electrical Connections

REMEMBER to disconnect the power. If you feel you do not have enough electrical wiring knowledge or experience, have your fan installed by a licensed electrician.

Follow the steps below to connect the fan to your household wiring. Use the wire connecting nuts supplied with your fan and supplied with remote control. Secure the connectors with electrical tape. Make sure there are no loose strands or connections. (Figure 10)

1. Connect the ground conductor of the 120v supply (this may be a bare wire or a wire with green colored insulation) to the green ground lead(s) of the fan (Figure 10).
2. Connect the fan motor white wire to the receiver white wire using a wire nut (Figure 10).
3. Connect the fan motor black wire to the receiver black wire using a wire nut (Figure 10).
4. Connect the fan motor blue wire to the receiver blue wire using a wire nut (Figure 10).

5. Connect the receiver black wire to the supply black (hot) wire using a wire nut (Figure 10).
6. Connect the receiver white wire to the supply white (neutral) wire using a wire nut (Figure 10).
7. After connecting the wires, spread them apart so that the green and white wires are one side of the electrical box and the black wire is on the other side.
8. Turn the wire connecting nuts upward and carefully push the wiring into the electrical box.

NOTE

USE THE PLASTIC WIRE CONNECTORS SUPPLIED WITH YOUR FAN. SECURE THE CONNECTORS WITH ELECTRICAL TAPE AND ENSURE THERE ARE NO LOOSE STRANDS OR CONNECTIONS.

WARNING

EACH WIRE NUT (WIRE CONNECTOR) SUPPLIED WITH THIS FAN IS DESIGNED TO ACCEPT UP TO ONE 12 GAUGE HOUSE WIRE AND TWO WIRES FROM THIS FAN. IF YOU HAVE LARGER THAN 12 GAUGE HOUSE WIRING OR MORE THAN ONE HOUSE WIRE TO CONNECT TO THE FAN WIRING, CONSULT AN ELECTRICIAN FOR THE PROPER SIZE WIRE NUTS TO USE.

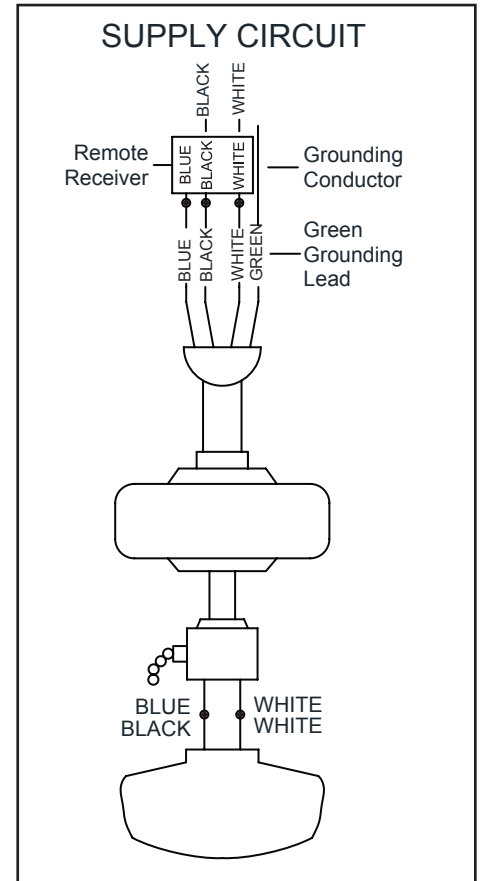


Figure 10

Finishing the Fan Installation

STANDARD CEILING MOUNTING

WARNING

WHEN USING THE STANDARD BALL/DOWNROD MOUNTING, THE TAB IN THE RING AT THE BOTTOM OF THE MOUNTING PLATE MUST REST IN THE GROOVE OF THE HANGER BALL. FAILURE TO PROPERLY SEAT THE TAB IN THE GROOVE COULD CAUSE DAMAGE TO WIRING.

1. Align the locking slots of the ceiling canopy with the two screws in the mounting plate. Push up to engage the slots and turn clockwise to lock in place. Immediately tighten the two mounting screws firmly.
2. Install the remaining two mounting screws into the holes in the canopy and tighten firmly.
3. Install the decorative canopy ring by aligning the ring's slots with the screws in the canopy. Rotate the ring counter-clockwise to lock in place.
4. You may now proceed to attaching the fan blades.

Attaching the Fan Blades

1. Insert the blade through the slot cut-off in the center flywheel, align the three screw holes in the blade with the screw holes in the flywheel and secure with the screws provided. (Figure 11)
2. Repeat for the remaining blades.

Blade Balancing

All blades are grouped by weight. Because natural woods vary in density, the fan may wobble even though the blades are weight matched.

The following procedure should correct most fan wobble. Check after each step.

1. Check that all blade screws are secure.
2. Most fan wobble problems are caused when blade levels are unequal. Check this level by selecting a point on the ceiling above the tip of one of the blades. Measure from a point on the center of each blade to the point on the ceiling. Measure this distance as shown in Figure 12. Rotate the fan until the next blade is positioned for measurement. Repeat for each blade. Measurements deviation should be within 1/8". Run the fan for 10 minutes.

3. Make sure that canopy is tightened securely to ceiling mounting bracket and that the ceiling mounting bracket is tightened securely to the electrical box.
4. Interchanging two adjacent blades can redistribute the weight and possibly result in the smoother operation.
5. Use the enclosed Blade Balancing Kit if the blade wobble is still noticeable.

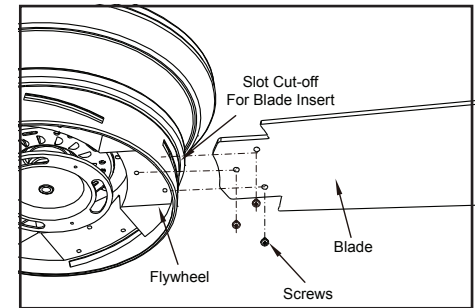


Figure 11

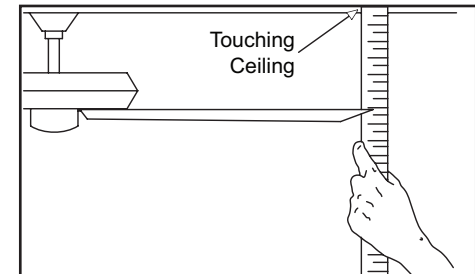


Figure 12

Installing the Light Kit Pan/Light Kit Fitter Assembly/ Glass Bowl

CAUTION - To reduce the risk of electrical shock, disconnect the electrical supply circuit to the fan before installing the light kit.

1. Loosen but do not remove two of three mounting screws from the fan motor assembly; Remove one mounting screw. (Figure 13)
2. Push the light kit pan up to the fan motor assembly so that the two loosened screw heads fit into the keyhole slots. Turn the light kit pan clockwise, tightened the screws. Re-install the screw that was removed in step 1 and tighten firmly. (Figure 13)
3. Remove one screw from the light kit pan and loosen, but do not remove the other two screws. Connect the wires from the light kit fitter assembly to the wires from the fan motor assembly by connecting the molded adaptor plugs together. Carefully tuck all wires and splices into the switch cap. (Figure 14)

4. Push the light kit fitter assembly up so that the two loosened screw heads fit into the keyhole slots. Turn the light kit fitter assembly clockwise, tighten the screws. Re-install the screw that was removed in step 3 and tighten firmly. (Figure 14)
5. Place the glass bowl into the light kit pan, aligning the three flat areas on the top of the glass bowl with the three raised dimples in the light kit pan. Turn the glass bowl clockwise until it stops. (Figure 15)

NOTE

PERIODICALLY CHECK THE GLASS BOWL IS SEATED FULLY CLOCKWISE IN THE LIGHT KIT PAN ASSEMBLY.

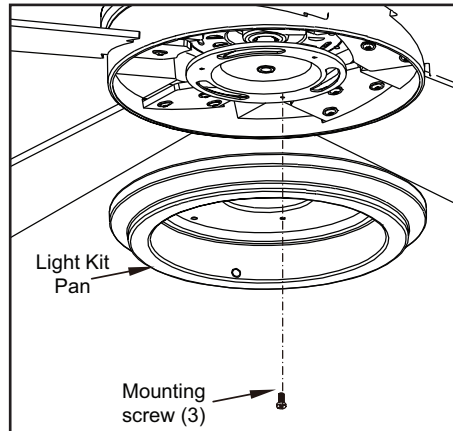


Figure 13

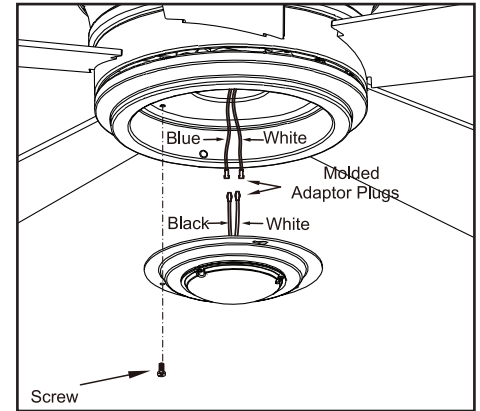


Figure 14

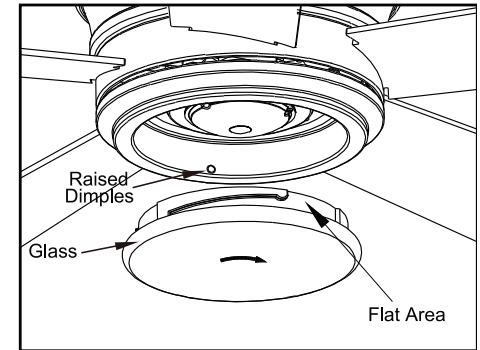


Figure 15

Speed settings for warm or cool weather depend on factors such as room size, ceiling height, number of fans, and so on.

The fan shipped from the factory with the reversing switch positioned to circulate air downward. If airflow is desired in the opposite direction, turn your fan off and wait for the blades to stop turning, then slide the reversing switch (located at the top of the motor housing, refer to figure 7 on page 4) to opposite position, and turn fan on again. The fan blades will turn in the opposite direction and reverse airflow.

Warm weather - (Forward) A downward air flow creates a cooling effect as shown in Figure 16. This allows you to set your air conditioner on a higher setting without affecting your comfort.

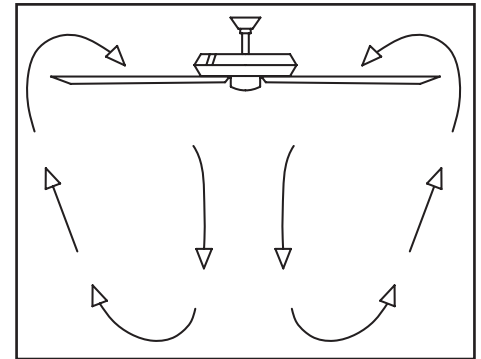


Figure 16

Cool weather - (Reverse) An upward air flow moves warm air off the ceiling as shown in Figure 17. This allows you to set your heating unit on a lower setting without affecting your comfort.

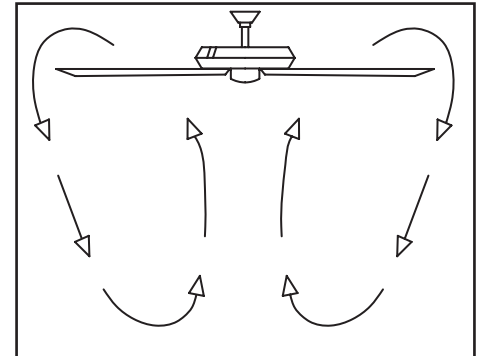


Figure 17

9. Operating Your Fan

Care of Your Fan

Here are some suggestions to help you maintain your fan.

1. Because of the fan's natural movement, some connections may become loose. **Check the support connections, brackets, and blade attachments twice a year.** Make sure they are secure. **(It is not necessary to remove fan from ceiling.)**
2. Clean your fan periodically to help maintain its new appearance over the years. Do not use water when cleaning, this could damage the motor, or the wood or possibly cause an electrical shock. Use only a soft brush or lint-free cloth to avoid scratching the finish. The plating is sealed with a lacquer to minimize discoloration or tarnishing. **Warning - Make sure the power is off before cleaning your fan.**
3. You can apply a light coat of furniture polish to the wood for additional protection and enhanced beauty. Cover small scratches with a light application of shoe polish.
4. **There is no need to oil your fan.** The motor has permanently lubricated sealed ball bearings.

Troubleshooting

Problem

Solution

Fan will not start

1. Check main and branch circuit fuses or breakers
2. Check line wire connections to the fan and switch wire connections in the switch housing. **CAUTION: Make sure main power is off.**
3. Check batteries in the transmitter. Does the red LED light come on? Are you standing close enough to the fan? (Normal range is 10-20 feet.) Are the dip switch settings the same on the transmitter (hand unit) and receiver? **REMEMBER TO TURN OFF POWER SUPPLY BEFORE CHECKING THE DIP SWITCH SETTINGS IN RECEIVER.**

Fan sounds noisy

1. Make sure all motor housing screws are snug.
2. Make sure the screws that attach the fan blade bracket to the motor hub are tight.
3. Make sure wire nut connections are not rattling against each other or the interior wall of the switch housing. **CAUTION: Make sure power is off.**
4. Allow a 24-hour "breaking in" period. Most noises associated with a new fan disappear during this time.
5. If using the Ceiling Fan light kit, make sure the screws securing the glassware are tight. Check that the light bulb is also secure.
6. Make sure the canopy is a short distance from the ceiling. It should not touch the ceiling.
7. Make sure your electrical box is secure and rubber isolator pads were used between the mounting bracket and electrical box.

WARNING

MAKE SURE THE POWER IS OFF AT THE ELECTRICAL PANEL BOX BEFORE YOU ATTEMPT TO MAKE ANY REPAIRS. REFER TO THE SECTION, "MAKING ELECTRICAL CONNECTIONS."

10. Care of Your Fan and Troubleshooting

FAN SIZE	SPEED	VOLTS	FAN POWER CONSUMPTION (WITHOUT LIGHTS) WATTS	AIRFLOW CFM	AIRFLOW EFFICIENCY (HIGHER IS BETTER) CFM/WATT	NET WEIGHT	GROSS WEIGHT	CUBE FEET
54"	Low	120	11	1760	160	21.38 Lbs	24.03 Lbs	1.9
	Med		25	2953	118			
	High		66	5121	78			

This equipment has been tested and found to comply with the limits for a Class B digital device, pursuant to Part 15 of the FCC Rules. These limits are designed to provide reasonable protection against harmful interference in a residential installation. This equipment generates, uses and can radiate radio frequency energy and, if not installed and used in accordance with the instructions, may cause harmful interference to radio communications. However, there is no guarantee that interference will not occur in a particular installation. If this equipment does cause harmful interference to radio or television reception, which can be determined by turning the equipment off and on, the user is encouraged to try to correct the interference by one or more of the following measures:

- Reorient or relocate the receiving antenna.
- Increase the separation between the equipment and receiver.
- Connect the equipment into an outlet on a circuit different from that to which the receiver is connected.
- Consult the dealer or an experienced radio/TV technician for help.

CAUTION:

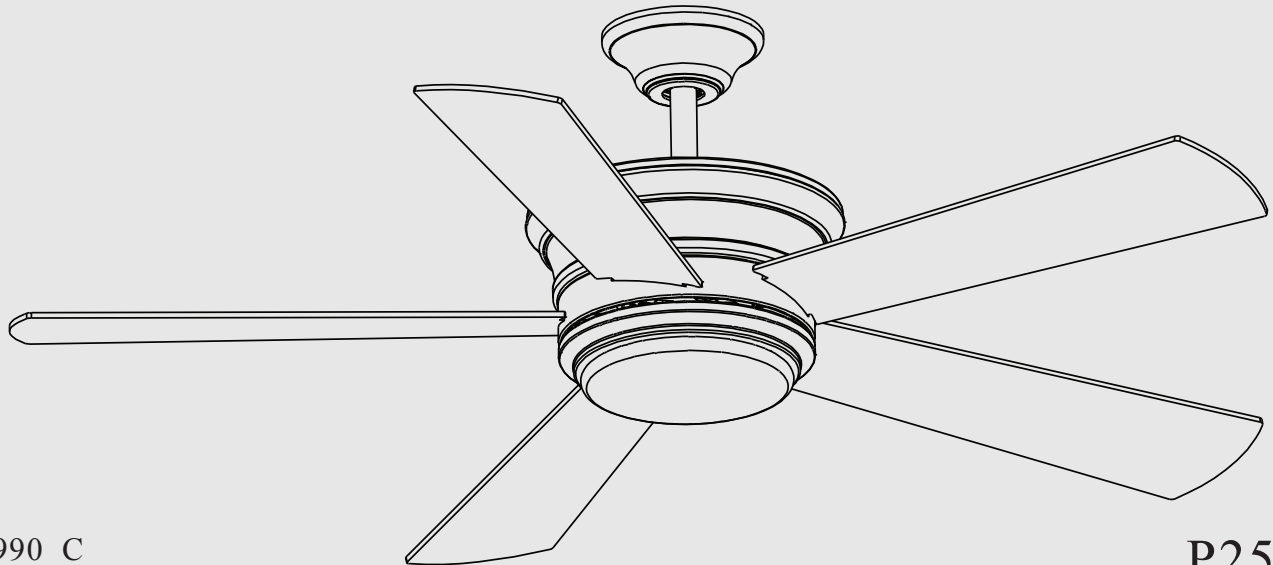
Any changes or modifications not expressly approved by the grantee of this device could void the user's authority to operate the equipment. This device complies with Part 15 of the FCC Rules. Operation is subject to the following two conditions: (1) This device may not cause harmful interference, and (2) this device must accept any interference received, including interference that may cause undesired operation.

©2017 Progress Lighting, Inc.
701 Millennium Blvd.,
Greenville, SC 29607
All Rights Reserved

11. Specifications



Manual de instalación de ventilador de techo



93080990_C

P2540

Garantía limitada de por vida

Se garantiza al comprador original que los motores de los ventiladores de Progress Lighting no presentan defectos mecánicos o eléctricos por el tiempo durante el cual el comprador original sea dueño del ventilador. Los interruptores de cadena, interruptores de reversa, capacitores y acabados de metal cuentan con garantía libre de defectos de materiales o mano de obra por 1 año a partir de la fecha de compra. La deformación de las aspas de plástico o madera no está cubierta por esta garantía, así como tampoco la corrosión y/o el deterioro de los acabados en el caso de los ventiladores instalados dentro de un radio de 10 millas (16 km) de la costa del mar. Pueden corresponder garantías extendidas para los productos que cumplen con los requisitos de ENERGY STAR®.

Los ventiladores de techo Progress Lighting con fuentes de iluminación LED incorporadas, cuando se los instala debidamente y bajo condiciones de uso normales, están garantizados como libres de defectos de materiales y mano de obra que hacen que las fuentes de iluminación dejen de funcionar de acuerdo con las especificaciones durante (i) cinco (5) años a partir de la fecha de compra para los módulos de luces LED y los componentes eléctricos para los ventiladores utilizados en residencias unifamiliares, y (ii) tres (3) años a partir de la fecha de compra para los módulos de luces LED y los componentes eléctricos para los ventiladores utilizados en aplicaciones comerciales o multifamiliares. Los focos LED suministrados por Progress Lighting no cuentan con garantía más allá de la garantía del fabricante. Los focos que no son LED no cuentan con garantía.

Con comprobante de compra, el comprador original podrá devolver el ventilador defectuoso al lugar de compra, durante los primeros 30 días, para su reemplazo. Pasados los 30 días, el comprador original DEBE contactarse con Progress Lighting al (864) 678-1000 para la reparación o el reemplazo, que se determinará a criterio exclusivo de Progress Lighting y será la compensación única y exclusiva del comprador.

Se excluye la mano de obra y el envío. Esta garantía no cubre los costos o cargos asociados con la mano de obra (incluidos, entre otros, los honorarios del electricista) necesaria para instalar, quitar o reemplazar el ventilador o cualquiera de sus partes.

Esta garantía no se aplicará a ninguna pérdida o daño que resulte del (i) uso y desgaste normales o de una alteración, uso indebido o descuido, o de la (ii) instalación, operación, reparación o mantenimiento inadecuados por parte del comprador original o de un tercero, incluidos, entre otros, suministro de voltaje inadecuado o sobrecarga eléctrica, uso de piezas o accesorios inadecuados, reparación no autorizada (realizada o que se intentó realizar) o falta de mantenimiento al ventilador.

LAS GARANTÍAS PRECEDENTES ESTABLECEN LA OBLIGACIÓN DE GARANTÍA COMPLETA DE PROGRESS LIGHTING Y LA COMPENSACIÓN ÚNICA Y EXCLUSIVA DEL COMPRADOR ORIGINAL EN RELACIÓN CON DICHS PRODUCTOS. PROGRESS LIGHTING NO ASUME RESPONSABILIDAD POR DAÑOS (INCLUIDOS INDIRECTOS, ESPECIALES, INCIDENTALES O EMERGENTES), DEBIDO A FALLAS DEL PRODUCTO, YA SEA QUE SURJAN DEL INCUMPLIMIENTO DE LA GARANTÍA, DEL INCUMPLIMIENTO CONTRACTUAL O DE OTRO MODO. ESTA GARANTÍA REEMPLAZA CUALQUIER OTRA GARANTÍA, YA SEA EXPRESA O IMPLÍCITA, INCLUSO AQUELLAS DE COMERCIABILIDAD, IDONEIDAD PARA UN FIN EN PARTICULAR O NO INCUMPLIMIENTO.

Algunos estados no permiten limitaciones sobre la duración de una garantía implícita o la exclusión de limitaciones de daños incidentales o emergentes, de modo que las limitaciones y exclusiones anteriores tal vez no se apliquen a su caso. La presente garantía le otorga derechos específicos y es posible que usted tenga otros derechos que varían según el estado.

Fecha de compra _____

Tienda de compra _____

Modelo de UL núm. P2540

Número de serie _____

Proveedor núm. 111017

UPC 785247 211821

785247 211814

785247 211838



Normas de seguridad	1
Cómo desempacar el ventilador	2
Cómo instalar el ventilador	3
Cómo hacer las conexiones eléctricas	6
Cómo usar el ventilador	9
Cuidado del ventilador	10
Solución de problemas	10
Especificaciones	11

Tabla de contenido

LEE Y GUARDA ESTAS INSTRUCCIONES

1. Para disminuir el riesgo de descarga eléctrica, antes de comenzar la instalación asegúrate de que la electricidad ha sido cortada en el cortacircuitos o en la caja de fusibles.
2. Todo el cableado tiene que cumplir con el Código Nacional de Electricidad ANSI/NFPA 70-1999 y con los códigos locales de electricidad. La instalación eléctrica debe hacerse por un electricista calificado y con licencia.
3. **PRECAUCIÓN:** Para reducir el riesgo de lesiones personales, usa sólo los tornillos incluidos con la caja de distribución.
4. La caja eléctrica y estructura de soporte tienen que montarse de forma segura para poder sostener con confianza 35 lb (15.9 kg). (15.9 kg). Usa solo cajas eléctricas aprobadas por UL y marcadas como “apropiadas para sostener ventiladores de 35 lb (15.9 kg) o menos”.
5. **PRECAUCIÓN:** El ventilador tiene que montarse con **al menos 7 pies (2.13 m) de separación** entre el borde trasero de las aspas y el piso.
6. No operar el interruptor de reversa mientras las aspas del ventilador estén en movimiento. El ventilador tiene que estar apagado y las aspas detenidas antes de invertir el sentido del movimiento.
7. Evita colocar objetos en la trayectoria de las aspas.
8. Para evitar lesiones personales o daños al ventilador y otros artículos, ten cuidado al limpiarlo o al trabajar cerca de él.
9. No usar agua ni detergentes al limpiar el ventilador o las aspas. Para limpiar casi siempre será adecuado un paño seco o ligeramente humedecido con que quitar el polvo.
10. Después de hacer las conexiones eléctricas, los conductores empalmados deben voltearse hacia arriba y empujarse con cuidado dentro de la caja eléctrica. Los cables deben estar separados, con el cable a tierra y el conductor a tierra del equipo hacia uno de los lados de la caja eléctrica y el conductor sin conexión a tierra hacia el lado opuesto.
11. Los diagramas eléctricos son sólo para referencia. Los kits de luces no empacados con el ventilador tienen que estar aprobados por UL y marcados como apropiados para usar con el modelo de ventilador que estás instalando. Los interruptores tienen que estar clasificados de uso general por UL. Para ensamblar bien, consulta las instrucciones adjuntas a los kits de luces e interruptores.
12. Antes de la instalación, todos los tornillos de fijación tienen que comprobarse y reajustarse donde sea necesario.
13. **ADVERTENCIA:** Para reducir el riesgo de incendio o descarga eléctrica este ventilador sólo debe usar la pieza # UC7067RY de control de velocidad fabricada por Rhine Electric Co., Ltd.
14. Adecuado para uso con controles de velocidad de estado sólido.

ADVERTENCIA

PARA REDUCIR EL RIESGO DE INCENDIO, DESCARGA ELÉCTRICA O LESIONES PERSONALES, INSTALA SÓLO EN UNA CAJA ELÉCTRICA CLASIFICADA COMO “APROPIADA PARA SOSTENER VENTILADORES DE 35 LB (15.9 KG) O MENOS”, Y USA SÓLO LOS TORNILLOS INCLUIDOS CON DICHA CAJA.

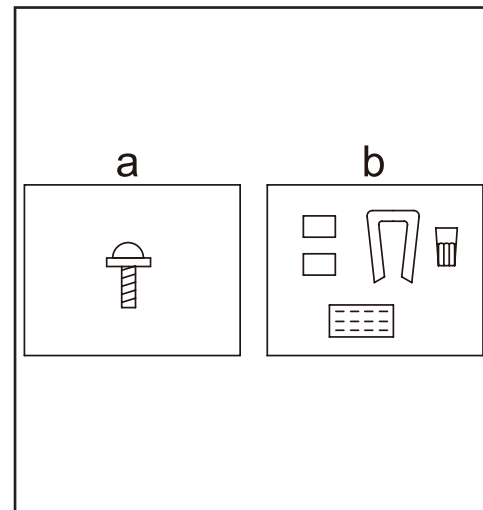
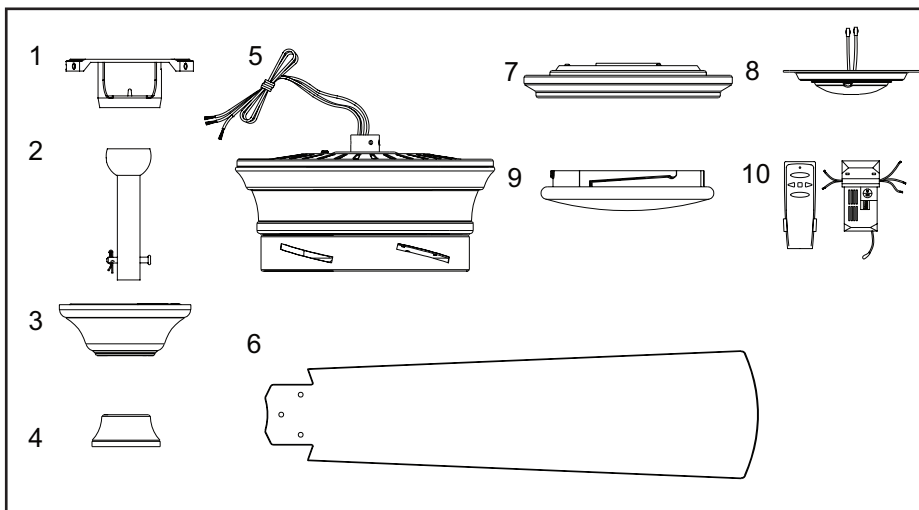
ADVERTENCIA

PARA REDUCIR EL RIESGO DE LESIONES PERSONALES, NO DOBLES LOS BRAZOS DE LAS ASPAS (TAMBIÉN LLAMADOS “REBORDES”) DURANTE NI DESPUÉS DE LA INSTALACIÓN. NO COLOCAR OBJETOS EN LA TRAYECTORIA DE LAS ASPAS.

ADVERTENCIA

PARA REDUCIR EL RIESGO DE DESCARGA ELÉCTRICA, ESTE VENTILADOR TIENE QUE INSTALARSE CON UN CONTROL/INTERRUPTOR DE AISLAMIENTO.

1. Normas de seguridad



Desempaca tu ventilador y revisa el contenido. Debes tener los siguientes artículos:

- | | | |
|--|--|---|
| 1. Soporte de montaje (dentro de la cubierta) | 5. Conjunto motor-ventilador | a. Herrajes de montaje de aspas
(16 tornillos) |
| 2. Conjunto de tubo bajante/bola de 15.24 cm con pasadores de soporte y de cierre prefijados | 6. Aspas (5) | b. Kit de compensación y componentes eléctricos
(3 conectores plásticos de cable, kit de compensación de aspas) |
| 3. Cubierta con aro de cubierta (acoplado) | 7. Carcasa del kit de luces | |
| 4. Cubierta decorativa del collarín del motor | 8. Conjunto del soporte del kit de luces | |
| | 9. Pantalla de vidrio | |
| | 10. Transmisor y receptor | |

2. Cómo desempacar el ventilador

Herramientas necesarias

Destornillador Phillips o de punta plana, llave ajustable, escalera de tijera y cortacables.



Opciones de montaje

Si no hay una caja eléctrica presente, lee las siguientes instrucciones. **Desconecta la electricidad retirando los fusibles o apagando los cortacircuitos.**

Asegura la caja eléctrica directamente a la estructura de la edificación. Usa sujetadores y materiales de construcción apropiados. La caja eléctrica y su soporte tienen que poder sostener todo el peso en movimiento del ventilador (al menos 35 lb = 15.9 kg).

No uses cajas eléctricas de plástico.

ADVERTENCIA

PARA REDUCIR EL RIESGO DE INCENDIO, DESCARGA ELÉCTRICA O LESIONES PERSONALES, INSTALA SÓLO EN UNA CAJA ELÉCTRICA CLASIFICADA COMO "APROPIADA PARA SOSTENER VENTILADORES DE 35 LB (15.9 KG) O MENOS", Y USA SÓLO LOS TORNILLOS INCLUIDOS CON DICHA CAJA. LAS CAJAS ELÉCTRICAS COMÚNMENTE UTILIZADAS COMO SOPORTE PARA INSTALACIONES FIJAS DE ILUMINACIÓN PUEDEN NO SERVIR COMO SOPORTE DEL VENTILADOR Y TAL VEZ DEBAN REEMPLAZARSE. CONSULTA A UN ELECTRICISTA CALIFICADO SI TIENES DUDAS.

Las figuras 1, 2 y 3 ejemplifican diferentes maneras de montar la caja eléctrica.

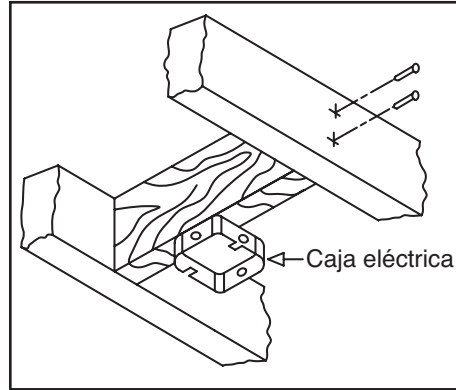


Figura 1

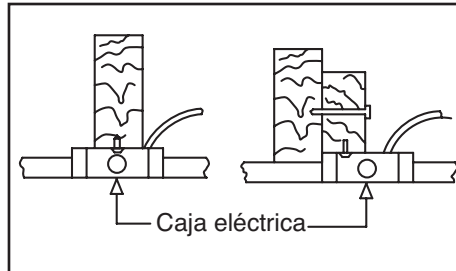


Figura 2

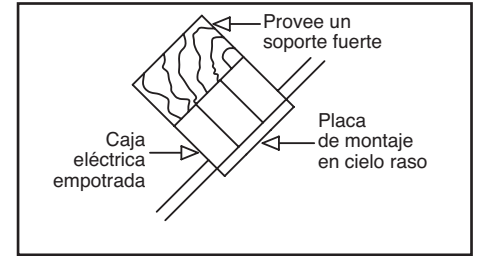


Figura 3

Nota: Tal vez necesites un tubo bajante más largo para mantener la altura mínima adecuada de las aspas al instalar el ventilador en un techo con inclinación pronunciada. El ángulo máximo permitido es 20°.

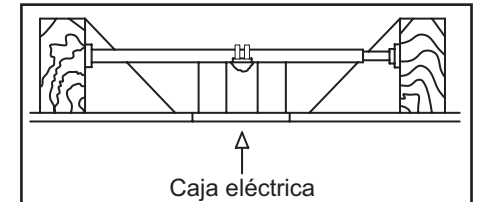


Figura 4

Para colgar el ventilador donde haya una lámpara pero ninguna viga de techo, tal vez necesites una barra colgante de instalación como se muestra en la Figura 4.

3. Cómo instalar el ventilador

Cómo colgar el ventilador

RECUERDA cortar la corriente. Sigue los pasos más abajo para colgar bien tu ventilador.

NOTA: Se recomienda instalar este ventilador en un cielo raso estándar usando el tubo bajante incluido. En instalación de techo estándar con el tubo bajante de 6 pulgadas incluido, la distancia desde el techo a la parte inferior de las aspas será de unas 13 pulgadas.

Montaje estándar en cielo raso

1. Retira el aro de la cubierta, girando el aro a la derecha hasta que se libere. (Figura 5)
2. Retira la placa de montaje de la cubierta aflojando los cuatro tornillos de su parte superior. Quita los dos tornillos sin ranura y afloja los tornillos ranurados. Esto te permitirá retirar la placa de montaje. (Figura 6)
3. Retira los pasadores de soporte y de cierre en el conjunto del tubo bajante.
4. Inserta los cables que salen por la parte superior del motor del ventilador, a través de la cubierta decorativa del collarín del motor y enseguida por el aro de la cubierta. Asegúrate de que las ranuras queden en la parte superior. Inserta los cables a través de la cubierta y enseguida a través del conjunto del tubo bajante y bola. (Figura 7)
5. Afloja, sin quitarlos, los tornillos de fijación en el collarín de la parte superior de la carcasa de motor.
6. Alinea los orificios en la parte inferior del

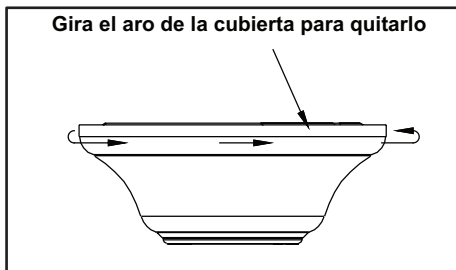


Figura 5

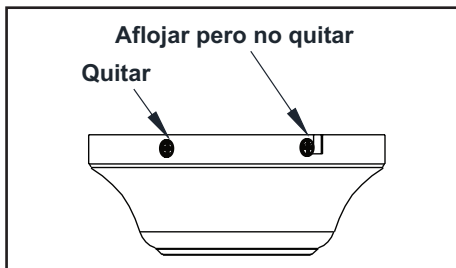


Figura 6

tubo bajante con los aquellos del collarín en la parte superior de la carcasa de motor (Figura 7) Inserta con cuidado el pasador de soporte a través de los orificios del collarín y del tubo bajante. Ten cuidado de no apretar contra el cableado dentro del tubo bajante. Inserta el pasador de cierre en el orificio cercano al extremo del perno hasta que encaje en su posición, como se muestra en el círculo de la Figura 7.

7. Vuelve a apretar los tornillos del collarín en la parte superior de la carcasa del motor.

8. Asegúrate de que el ojal quede instalado correctamente en la cubierta del collarín y desliza enseguida la cubierta del collarín por el tubo bajante hasta quedar sobre la carcasa del motor. Asegúrate de que tanto la cubierta como la cubierta del collarín estén orientadas correctamente.
9. Pasa a la sección "Cómo instalar el ventilador".

ADVERTENCIA

SI NO INSTALAS BIEN LOS TORNILLOS DE FIJACIÓN, COMO SE INDICA EN EL PASO 7, PUEDEN AFLOJARSE Y POSIBLEMENTE SE CAERÁ EL VENTILADOR.

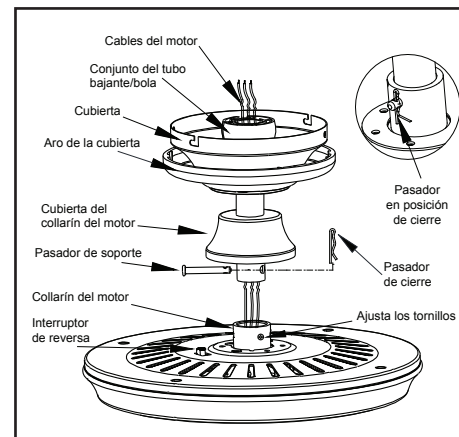


Figura 7

Cómo instalar el ventilador en la caja eléctrica

PRECAUCIÓN

AL INSTALAR EL VENTILADOR EN UN TECHO INCLINADO, TIENES QUE HACERLO POR EL MÉTODO DE MONTAJE CON TUBO BAJANTE Y BOLA ESTÁNDAR. LA PLACA DE MONTAJE TIENE QUE INSTALARSE DE MANERA TAL QUE LAS ABERTURAS DE RANURA QUEDEN SOBRE EL LADO INFERIOR, DESLIZANDO LA PLACA DE MONTAJE DESDE LA PARTE SUPERIOR HACIA ABAJO.

1. Pasa los cables de suministro de 120 V a través del orificio central de la placa de montaje del techo, como se muestra en la Figura 8.
2. Instala el soporte de montaje de techo sobre la caja eléctrica, con los tornillos de montaje incluidos. Fíjate que el lado plano de la placa de montaje esté orientado hacia la caja eléctrica. (Figura 8)
3. Aprieta bien los dos tornillos en la caja eléctrica.
4. Con cuidado alza el conjunto del ventilador hasta la placa de montaje en el techo. Asegúrate de que la pestaña sobre la placa de montaje encaje bien en la ranura de la bola de soporte. (Figura 9)

ADVERTENCIA

EN EL MONTAJE ESTÁNDAR DE TUBO BAJANTE Y BOLA, LA PESTAÑA EN EL ARO DE LA PARTE INFERIOR DEL SOPORTE DE MONTAJE TIENE QUE ENCAJAR BIEN EN LA RANURA DE LA BOLA DE SOPORTE. NO ENCAJAR BIEN LA LENGÜETA EN LA RANURA PUDIERA DAÑAR EL CABLEADO.

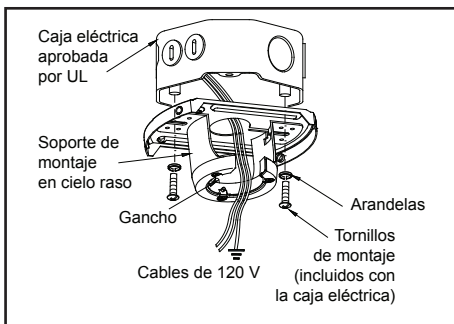


Figura 8

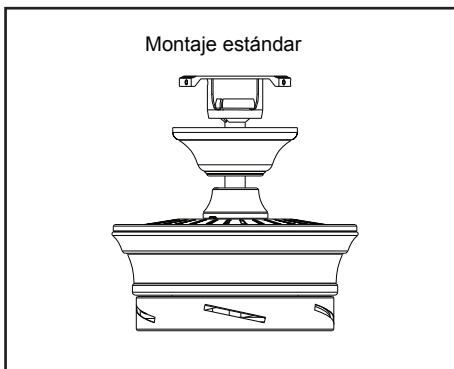


Figura 9

Cómo hacer las conexiones eléctricas

RECUERDA desconectar de la corriente. Si crees que no tienes suficiente experiencia o conocimientos en cableado eléctrico, contrata a un electricista con licencia para que instale el ventilador.

Sigue estos pasos para conectar tu ventilador al circuito de tu hogar. Usa las tuercas de conexión de cable incluidas con el ventilador y el control remoto. Asegura los conectores con cinta aislante. Asegúrate de que no haya conexiones ni cables sueltos. (Figura 10)

1. Conecta el conductor a tierra del cable de 120 voltios (puede ser un cable desnudo o un cable con aislante verde) al (los) cable(s) terminal(es) a tierra verde(s) del ventilador (Figura 10).
2. Conecta el cable blanco del motor del ventilador al cable blanco del receptor usando una tuerca de cable (Figura 10).
3. Conecta el cable negro del motor del ventilador al cable negro del receptor usando una tuerca de cable (Figura 10).
4. Conecta el cable azul del motor del ventilador al cable azul del receptor usando una tuerca de cable (Figura 10).

5. Conecta el cable negro del receptor al cable negro de suministro de energía (positivo) usando una tuerca de cable (Figura 10).
6. Conecta el cable blanco del receptor al cable blanco de suministro de corriente (neutro) usando una tuerca de cable (Figura 10).
7. Después de conectar los cables, sepáralos de manera que los cables verde y blanco queden de un lado de la caja eléctrica y el cable negro del otro.
8. Gira las tuercas de conexión del cable hacia arriba y coloca con cuidado el cableado dentro de la caja eléctrica.

NOTE

USA LOS CONECTORES DE CABLES PLÁSTICOS INCLUIDOS CON TU VENTILADOR. SUJETA LOS CONECTORES CON CINTA DE ELECTRICISTA Y ASEGÚRATE DE QUE NO HAYA CONEXIONES NI CABLES SUELTOS.

WARNING

CADA TUERCA DEL CABLE (CONECTOR DE CABLE) INCLUIDA CON ESTE VENTILADOR ESTÁ DISEÑADA PARA ACEPTAR UN CABLE DOMÉSTICO DE CALIBRE 12 COMO MÁXIMO Y DOS CABLES DEL VENTILADOR. SI TIENES UN CABLEADO DOMÉSTICO DE CALIBRE SUPERIOR A 12, O MÁS DE UN CABLE DOMÉSTICO PARA CONECTAR EL CABLEADO DEL VENTILADOR, CONSULTA A UN ELECTRICISTA PARA EL TAMAÑO ADECUADO DE TUERCAS DE CABLE.

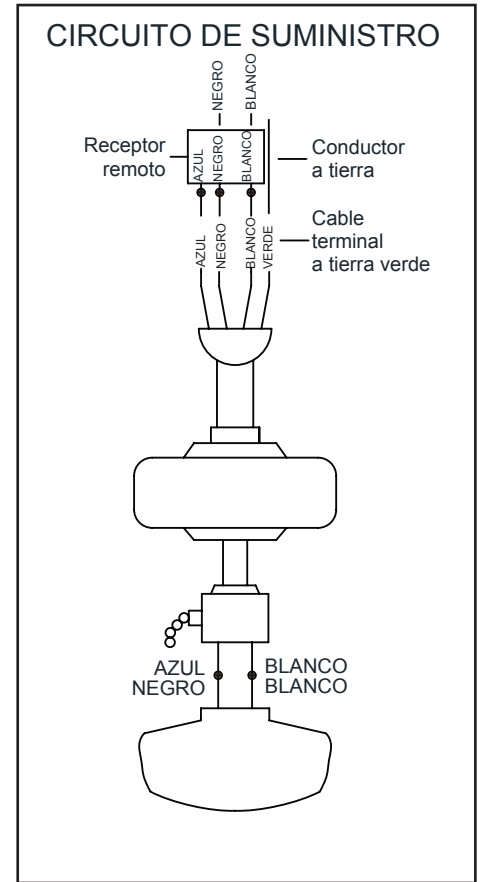


Figura 10

Cómo finalizar la instalación del ventilador

Instalación

MONTAJE ESTÁNDAR EN TECHO

ADVERTENCIA

EN EL MONTAJE ESTÁNDAR DE TUBO BAJANTE Y BOLA, LA PESTAÑA EN EL ARO DE LA PARTE INFERIOR DE LA PLACA DE MONTAJE TIENE QUE ENCAJAR EN LA RANURA DE LA BOLA DE SOPORTE. SI NO ENCAJA BIEN, PUEDE DAÑARSE EL CABLEADO.

1. Alinea las ranuras de cierre de la cubierta de techo con los dos tornillos de la placa de montaje. Empuja hacia arriba para enganchar las ranuras y gira de izquierda a derecha para asegurarlas en su lugar. Inmediatamente aprieta con firmeza los dos tornillos de montaje.
2. Instala los dos tornillos de montaje restantes en los orificios de la cubierta y apriétalos firmemente.
3. Instala el aro de la cubierta decorativa alineando las ranuras del aro con los tornillos en la cubierta. Rota el aro hacia la izquierda para fijarlo en su lugar.
4. Ahora puedes proceder a fijar las aspas del ventilador.

Cómo fijar las aspas del ventilador

1. Inserta el asa en la abertura del centro del volante, alinea los tres orificios para tornillo en el asa con sus correspondientes en el volante, y asegura con los tornillos incluidos. (Figura 11)
2. Repite el procedimiento para las aspas restantes.

Cómo equilibrar las aspas

Todas las aspas se agrupan por peso. Puesto que las maderas naturales varían en densidad, el ventilador puede oscilar aunque las aspas tengan el mismo peso.

El siguiente procedimiento corregirá en gran medida la oscilación del ventilador. Verifica después de cada paso.

1. Verifica que todos los tornillos de las aspas estén asegurados.
2. La mayoría de los problemas de oscilación del ventilador se deben a que las aspas no están al mismo nivel. Verifica este nivel seleccionando un punto en el techo sobre la punta de una de las aspas. Mide desde un punto en el centro de cada asa al punto en el techo. Mide esta distancia como se muestra en la Figura 12. Gira el ventilador hasta que la siguiente asa quede en posición para medir. Repite el procedimiento para cada asa. Las desviaciones de la medición no deben pasar de 3.2 mm. Deja que el ventilador funcione por 10 minutos.

3. Asegúrate de que la cubierta esté bien fijada al soporte de montaje en el techo y de que este último esté bien fijado a la caja eléctrica.
4. Intercambiar dos aspas adyacentes puede redistribuir el peso y posiblemente mejorar el funcionamiento.
5. Usa el kit de compensación de aspas adjunto si sigues notando oscilación.

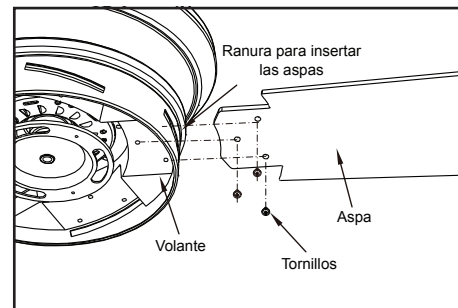


Figura 11

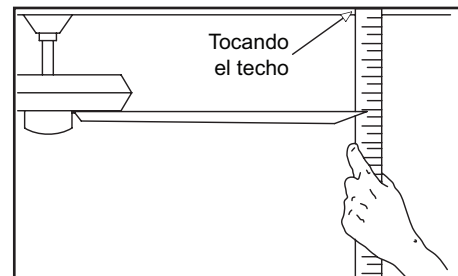


Figura 12

Cómo instalar la carcasa del kit de luces/conjunto del soporte del kit de luces/ tazón de vidrio

PRECAUCIÓN - Para reducir el riesgo de descarga eléctrica, desconecta el circuito de suministro de electricidad al ventilador antes de instalar el kit de luces.

1. Afloja, pero no quites, dos de los tres tornillos de montaje del conjunto motor-ventilador; retira un tornillo de montaje. (Figura 13)
2. Empuja la carcasa del kit de luces hasta el conjunto motor-ventilador de manera que las cabezas de los dos tornillos aflojados encajen en las ranuras tipo ojo de cerradura. Gira la carcasa del kit de luces hacia la derecha y aprieta los tornillos. Vuelve a instalar el tornillo que retiraste en el paso 1 y apriétalo firmemente. (Figura 13)
3. Quita un tornillo de la carcasa del kit de luces y afloja, pero no quites, los otros dos. Conecta los cables del conjunto del soporte del kit de luces a los cables del conjunto motor-ventilador uniendo los enchufes moldeados del adaptador. Coloca con cuidado todos los cables y empalmes dentro de la caja del interruptor. (Figura 14)
4. Empuja el conjunto del soporte del kit de luces hacia arriba de manera que las cabezas de los dos tornillos aflojados encajen en las ranuras tipo ojo de cerradura.

Gira el conjunto del soporte kit de luces hacia la derecha y aprieta los tornillos. Vuelve a instalar el tornillo que retiraste en el paso 3 y apriétalo firmemente. (Figura 14)

5. Coloca el tazón de vidrio dentro de la carcasa kit de luces alineando las tres áreas planas en la parte superior del tazón con las tres muescas salientes en la carcasa. Gira la pantalla de vidrio hacia la derecha hasta que se detenga. (Figura 15)

NOTA

VERIFICA PERIÓDICAMENTE SI EL TAZÓN DE VIDRIO ESTÁ BIEN ASENTADO HACIA LA DERECHA EN EL ENSAMBLAJE DE LA CARCASA DEL KIT DE LUCES.

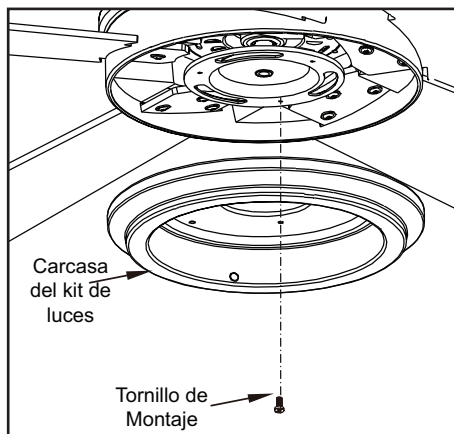


Figura 13

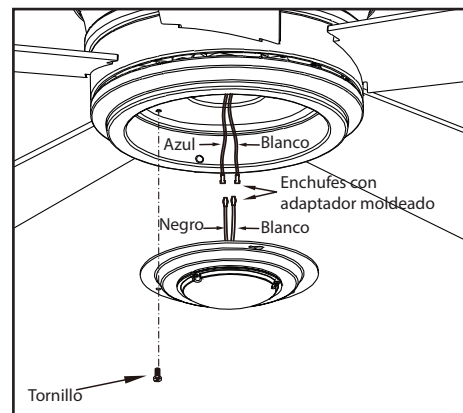


Figura 14

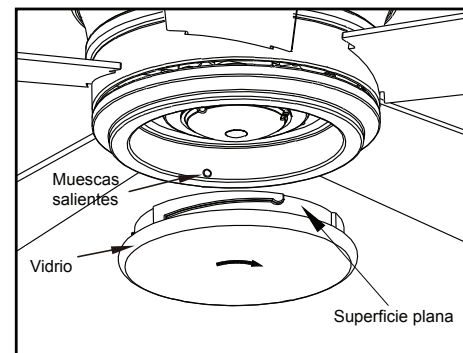


Figura 15

Las configuraciones de velocidad para clima cálido o frío dependen de factores como el tamaño de la habitación, la altura del techo, la cantidad de ventiladores y otras.

Este ventilador se envía desde la fábrica con el interruptor de reversa en posición de hacer circular el aire hacia abajo. Si deseas encauzar el flujo de aire en sentido contrario, apaga el ventilador y espera a que las aspas se detengan; enseguida desliza el interruptor de reversa (ubicado en la caja de interruptores, consulta la Figura 7 de la página 4) hacia la dirección opuesta y a continuación vuelve a encender el ventilador. Las aspas del ventilador girarán en sentido contrario e invertirán la corriente de aire.

Clima cálido - (Hacia adelante) Un flujo de aire hacia abajo surte efecto refrescante, como se muestra en la Figura 16. Esto te permite fijar tu equipo de aire acondicionado en configuración más alta sin afectar tu comodidad.

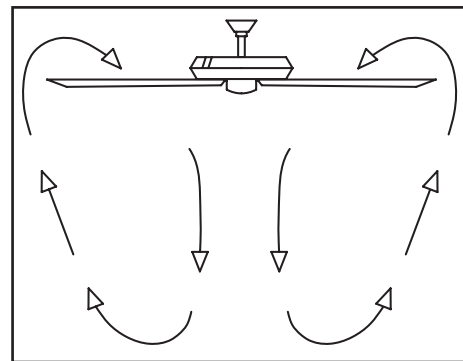


Figura 16

Clima frío - (Reversa) Un flujo de aire hacia arriba desplaza el aire cálido lejos del techo, como se muestra en la Figura 17. Esto te permite fijar tu unidad de calefacción en configuración más baja sin afectar tu comodidad.

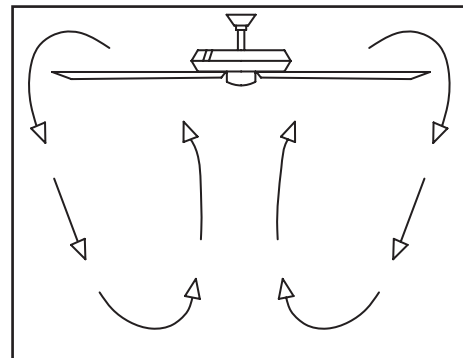


Figura 17

9. *Cómo usar el ventilador*

Cuidado del ventilador

Aquí tienes algunas sugerencias para dar mantenimiento a tu ventilador.

1. Debido al movimiento natural del ventilador, algunas conexiones pueden aflojarse. **Revisa las conexiones de soporte, los soportes y los accesorios de aspas dos veces al año.** Comprueba que estén seguros. **(No es necesario desmontar el ventilador del techo).**
2. Limpia el ventilador periódicamente para que luzca como nuevo al paso de los años. No uses agua al limpiar; esto puede dañar el motor o la madera e incluso provocar descargas eléctricas. Usa sólo un cepillo suave o un paño sin pelusas para evitar arañar el acabado. El revestimiento está sellado con laca para minimizar la decoloración u opacidad. **Advertencia - Asegúrate de que la electricidad esté cortada antes de limpiar tu ventilador.**
3. Puedes aplicar a la madera una fina capa de pulimento para muebles y asegurar así mayor protección y superior belleza. Cubre los arañazos pequeños con una leve aplicación de lustrador para calzado.
4. **Tu ventilador no necesita lubricación.** El motor tiene cojinetes de bola sellados y permanentemente lubricados.

Solución de problemas

Problema Solución

El ventilador no enciende

1. Verifica los fusibles o disyuntores principales y secundarios.
2. Verifica las conexiones de cables en línea al ventilador y de cables del interruptor en la caja de interruptores. **PRECAUCIÓN: Asegúrate de que la fuente principal de electricidad no esté encendida.**
3. Verifica las baterías en el transmisor. ¿Se enciende la luz LED roja? ¿Estás lo suficientemente cerca del ventilador? (El rango normal es de 3-6 metros.) ¿Coinciden las configuraciones del interruptor en el transmisor (unidad de mano) y en el receptor? **RECUERDA CORTAR LA ELECTRICIDAD ANTES DE VERIFICAR LAS CONFIGURACIONES DEL INTERRUPTOR EN EL RECEPTOR.**

El ventilador hace ruido

1. Asegúrate de que los tornillos de la carcasa del motor estén bien ajustados.
2. Asegúrate de que los tornillos que unen el soporte de aspa al cuerpo del motor están bien ajustados.
3. Asegúrate de que las conexiones de tuerca de cable no choquen unas con otras ni con la pared interior de la caja del interruptor. **PRECAUCIÓN: Asegúrate de que la electricidad está cortada.**
4. Deja que transcurra un período de “adaptación” de 24 horas. La mayoría de los ruidos asociados a un ventilador nuevo desaparecen en ese período.
5. Si usas el kit de luces de ventilador de techo, asegúrate de que los tornillos que sujetan el vidrio estén bien apretados. Verifica que también la bombilla esté bien fijada.
6. Asegúrate de que la cubierta esté a corta distancia del techo. No debe tocar el techo.
7. Asegúrate de que tu caja eléctrica esté bien segura y de que se hayan instalado almohadillas aislantes de goma entre el soporte de montaje y la caja de distribución.

ADVERTENCIA

ASEGÚRATE DE QUE NO HAYA CORRIENTE EN EL PANEL DE ELÉCTRICO ANTES DE INTENTAR HACER REPARACIONES. CONSULTA LA SECCIÓN “CÓMO HACER CONEXIONES ELÉCTRICAS”.

10. Cuidado del ventilador y solución de problemas

TAMAÑO DEL VENTILADOR	VELOCIDAD	VOLTIOS	POTENCIA DEL VENTILADOR CONSUMO (SIN LUCES) VATIOS	FLUJO DE AIRE CFM	EFICIENCIA DE FLUJO DE AIRE (MÁS ALTO ES MEJOR) CFM/VATIOS	PESO NETO	PESO BRUTO	PIES CÚBICOS
1.37 m	Baja	120	11	1760	160	21.38 Lb	24.03 Lb	1.9
	Media		25	2953	118			
	Alta		66	5121	78			

Este equipo fue sometido a prueba y se determinó que cumple con los límites establecidos para un dispositivo digital Clase B según la Parte 15 de las Normas FCC. Estos límites fueron establecidos para dar protección razonable contra la interferencia dañina en uso residencial. Este equipo genera, consume y puede irradiar energía de radiofrecuencia; si no se instala y usa de acuerdo con las instrucciones, puede causar interferencia dañina a comunicaciones radiales. Sin embargo, no hay garantía de que no ocurrirá interferencia en una instalación particular. Si este equipo causa interferencia que perjudica la recepción de radio o televisión, lo cual puede determinarse encendiendo y apagando el equipo, se recomienda al usuario tratar de corregir la interferencia con una o más de las siguientes medidas:

- Reorientar o reubicar la antena receptora.
- Incrementar la distancia entre los equipos y el receptor.
- Conectar el equipo a un tomacorriente en circuito distinto al que el receptor está conectado.
- Consultar al concesionario o algún técnico de radio/TV con experiencia para ayuda.

PRECAUCIÓN:

Los cambios o modificaciones sin aprobación expresa del responsable de este dispositivo podrían anular el derecho del usuario a operar el equipo. Este dispositivo cumple con la Parte 15 de las Normas FCC. Su operación está sujeta a las dos condiciones siguientes: (1) Este dispositivo no debe causar interferencia dañina y (2) tiene que aceptar cualquier interferencia recibida, incluyendo aquella que pudiera afectar su funcionamiento.

©2017 Progress Lighting, Inc.
701 Millennium Blvd.,
Greenville, SC 29607
Todos los derechos reservados

11. Especificaciones